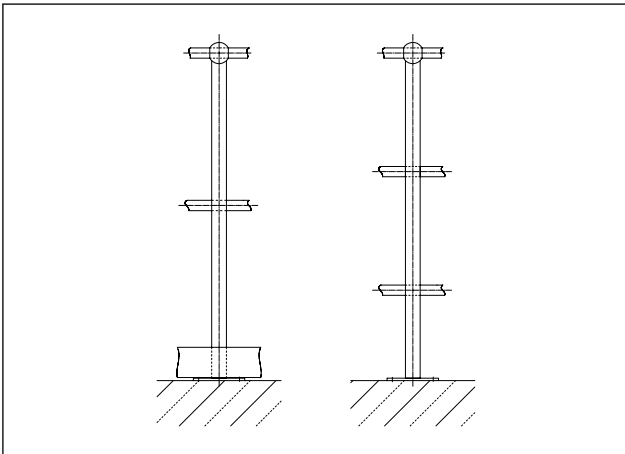


Safety On All Routes

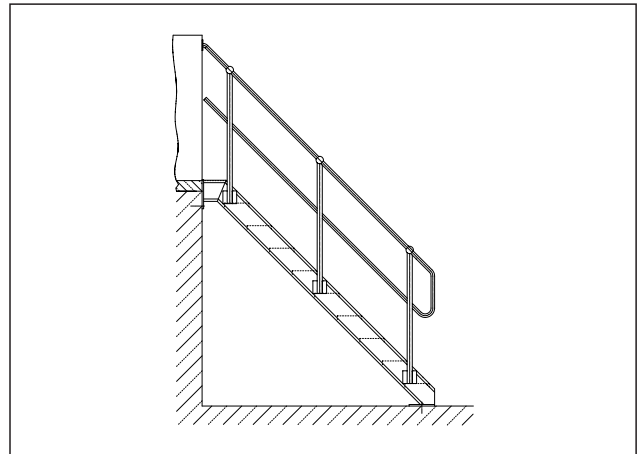


Fix-Rail® system, stairs, spiral stairs, crossings, platforms, walkways, also for moisture-prone areas, or aggressive media, or frequent cleaning

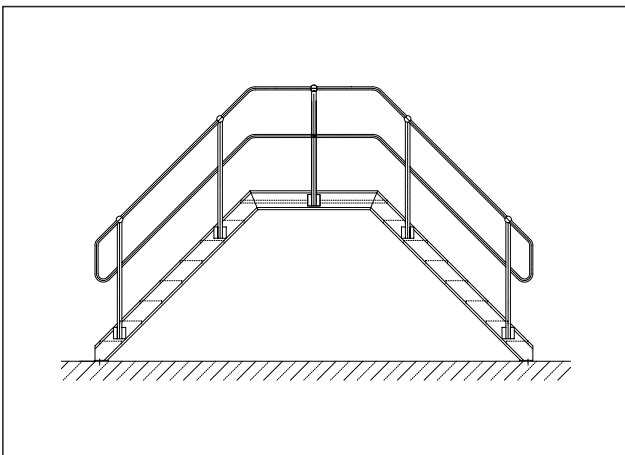
►► Our products



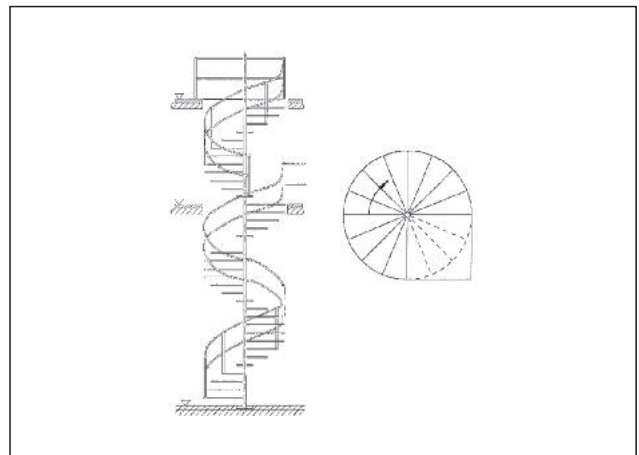
GE 1 to GE 5
Fix-Rail® System



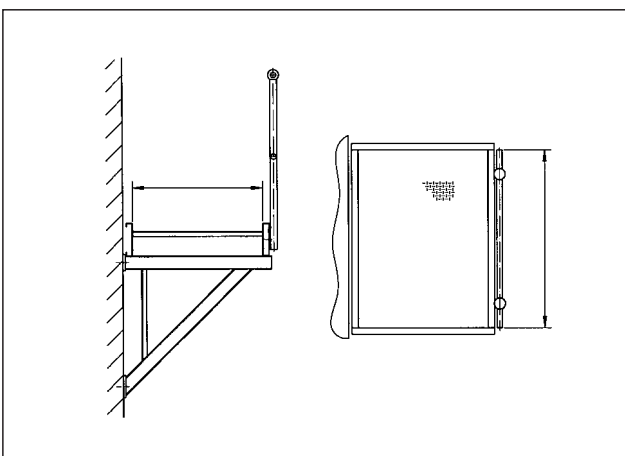
GE 7
Stairs



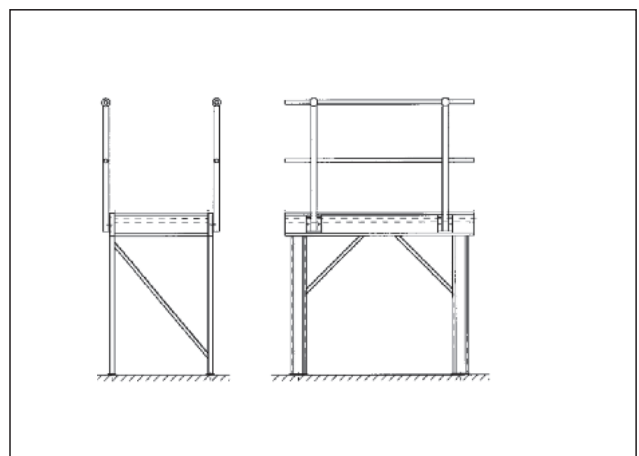
GE 8
Crossings



GE 9
Spiral stairs



GE 10
Walkway



GE 11
Platform

➤ Risk of accident – Danger is all around you.

The safety of personnel and third persons is in danger where travel and walkways are inadequately secured.

For safe walking on stairs not only slip resistant and load bearing surfaces are decisive but also the tread/riser ratio, i. e. the ratio between step height and tread width.

Due to the danger of falling the free sides of stairs, walkways and platforms must be equipped with railings. The railings must be designed to ensure no one can fall through or down. Skirtings eliminate the risk of objects falling onto walkways.

Corrosion damage of safety-relevant equipment is prevented through selection of the optimal material (e. g. 1.4301 or 1.4571) for each individual application.



➤ Carefully and precisely manufactured stainless steel products

Fix-Rail® systems and stairs meet any requirements:

- Tailored to suit any application purpose
- Cost-effective, long-life stainless steel components prevent expensive refurbishment.

HUBER stainless steel products are the perfect solution for municipal and industrial water supply and wastewater treatment applications. So, you should choose a material that satisfies the highest needs:

- Superb life
- Maximum corrosion protection through acid treatment in a pickling bath and passivation
- Design assurance and cost advantages with standard models
- HUBER products provide the highest possible level of safety for men and environment.



HUBER SE

Industriepark Erasbach A1 · D-92334 Berching
Phone: + 49 - 84 62 - 201 - 0 · Fax: + 49 - 84 62 - 201 - 810
info@huber.de · Internet: www.huber.de

Subject to technical modification
0,05 / 3 – 8.2010 – 6.2008

PG 6 Railings, Enterings, Crossings